



Features

- 1- or 2- Slot Card Rack Provides Optimal Space Utilization Density
- Standard + 12 VDC Power Module or Customer Supplied + 12 VDC Power
- Flexible Chassis Design Accepts All Optiva Plugin Cards: Audio, Video, Data, RF, Microwave
- Chassis to Card Grounding Eliminates Electrostatic Discharge During Insertion and Removal of Hot-Swappable Insert Cards
- Ruggedized Aluminum Chassis Resists Shock and Vibration

PS-9012



18 W wall mount power supply for the OT-DTCR-1 & -2 desktop enclosures. 100-240 VAC 50/60 Hz operation. Includes regional power socket adapters.

Desktop or Wall-Mount Enclosures

The Optiva Desk Top Card Racks (DTCR) are ruggedized aluminum-housing units that accept any Optiva insert card. The 1-slot (OT-DTCR-1) and 2-slot (OT-DTCR-2) enclosures both use an external PS-9012 wall-mount power supply and have a 2-pin Phoenix power connector option for more custom applications.



These enclosures are perfect for installations that are space constrained or do not require rackable equipment. Popular uses are remote video camera feeds, airport terminal signage, or simple point-to-point fiber links. A wide variety of Optiva cards have been developed for the platform to support both optical and daisy-chaining non-optical formats.

Models

Model	Description
OT-DTCR-1	1-Slot Desk Top/Wall Mount Enclosure with PS-9012 Power Supply
OT-DTCR-2	2-Slot Desk Top/Wall Mount Enclosure with PS-9012 Power Supply
PS-9012	18 W Power Supply with Regional Power Adapters

Monitoring & Control

Specification	Description
Local	Front panel LED status and alert indicators
Remote	OptivaView Remote Management Software

General Specifications

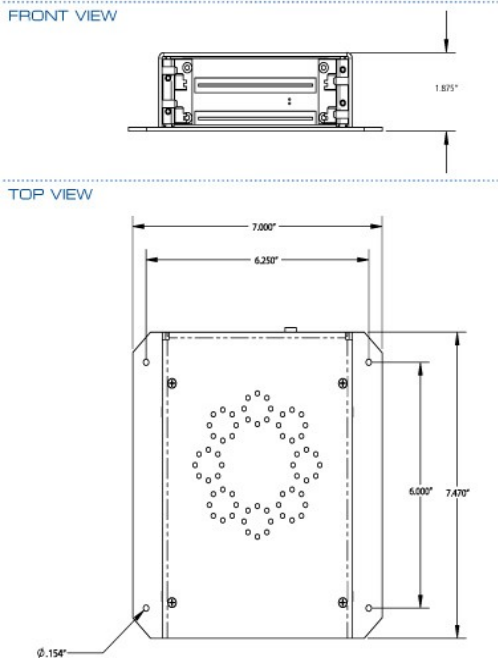
Specifications	Values
Dimensions - Single Slot	7.26" L x 7.0" W x 1.0" H 184.40 mm L x 177.80 mm W x 25.40 mm H
Weight Single Slot	0.5 lbs / 0.227 kg
Dimensions - Dual Slot	7.26" L x 7.0" W x 1.87" H 184.40 mm L x 177.80 mm W x 47.5 mm H
Weight -Dual Slot	1.25 lbs / 0.567 kg
Weight - Power Supply	0.5 lbs / 0.227 kg
Operating Temperature	-20°C to +55°C
Storage Temperature	-40°C to +85°C
Humidity	10% to 90% (non-condensing)
AC Input Voltage	90 – 264 VAC (per power supply, not included)
AC Input Frequency	50 – 60 Hz (per power supply, not included)
AC Input Load @ 120 VAC	1.6 Amps
AC Input Load @ 240 VAC	0.83 Amps
DC Output Load @ +12 VDC	2.5 Amps @ 25°C

Optiva OT-DTCR 1- or 2- Slot Enclosures

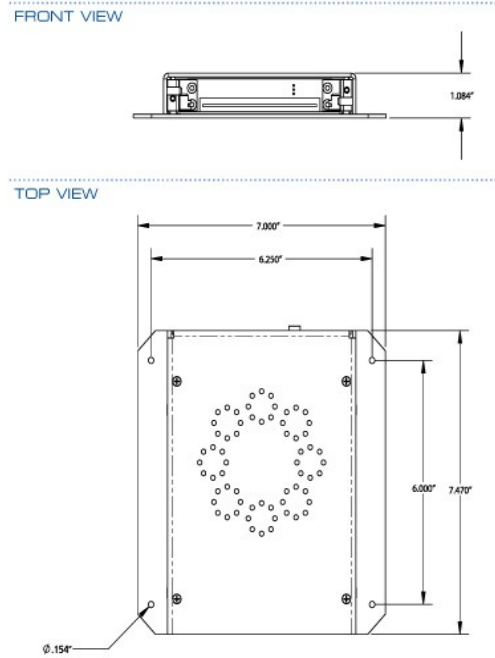
Desk Top Card Rack

Outline Drawing

OT-DTCR-2



OT-DTCR-1



PS-9012, US AC Power Shown, Optional EU and UK versions

18 W wall mount power supply for the OT-DTCR-1 & -2 desktop enclosures. 100-240 VAC 50/60 Hz operation. Includes regional power socket adapters.

